



poly TC10 with Desk Stand and Wall Mount User Guide

[Home](#) » [Poly](#) » poly TC10 with Desk Stand and Wall Mount User Guide

Contents [[hide](#)]

- [1 poly TC10 with Desk Stand and Wall Mount User Guide](#)
- [2 QUICK START](#)
- [3 TOOLS FOR WALL MOUNT](#)
- [4 Read More About This Manual & Download PDF:](#)
- [5 Documents / Resources](#)
 - [5.1 References](#)
- [6 Related Posts](#)

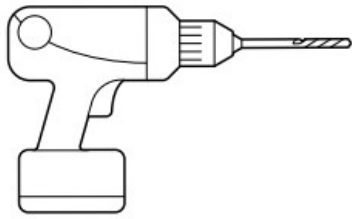
poly TC10 with Desk Stand and Wall Mount User Guide



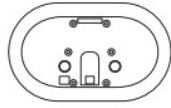
QUICK START

POLY TC10 WITH DESK STAND AND WALL MOUNT

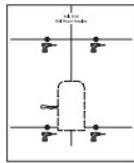
TOOLS FOR WALL MOUNT



Poly TC10



Wall Mount Brackets



Wall Mount Template

M3 x 6 mm*

(2) M4 x 8 mm*

(4) M3.5 x 25 mm



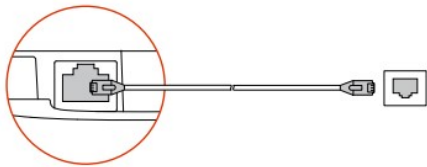
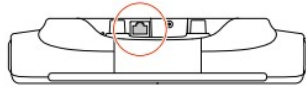
L-Key Hex*



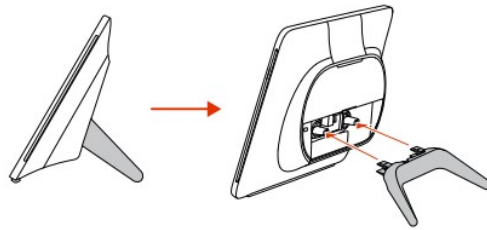
Network Cable

*Also used for optional glass mount accessory

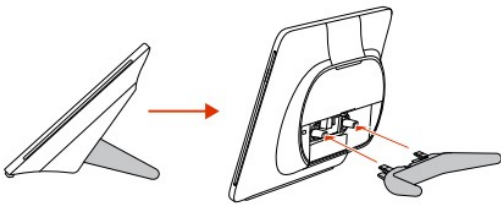
REQUIRED CABLING



DESK OPTION 1

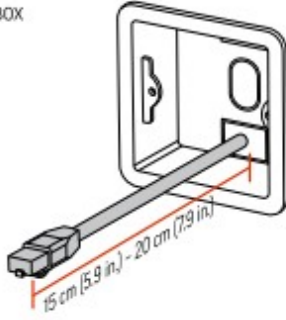


DESK OPTION 2

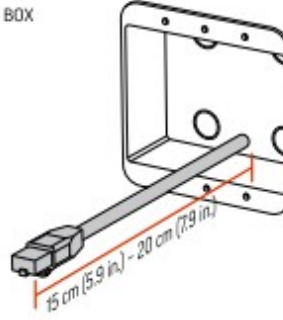


JUNCTION BOX MOUNT 1

GLOBAL JUNCTION BOX

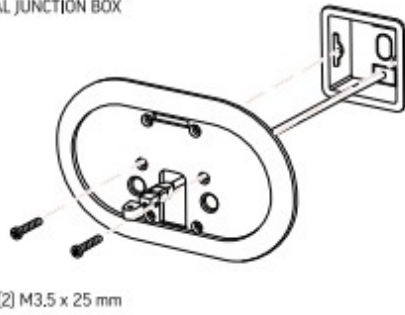


U.S. JUNCTION BOX



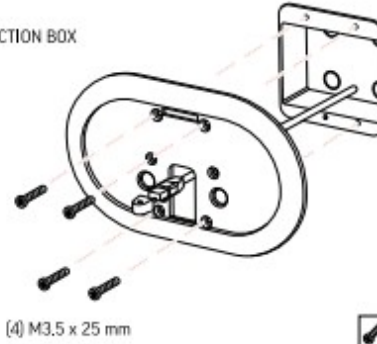
JUNCTION BOX MOUNT 2

GLOBAL JUNCTION BOX



(2) M3.5 x 25 mm

U.S. JUNCTION BOX

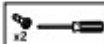
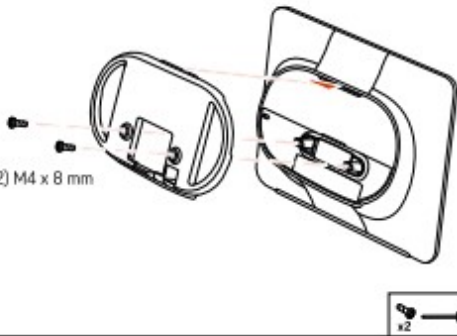


(4) M3.5 x 25 mm

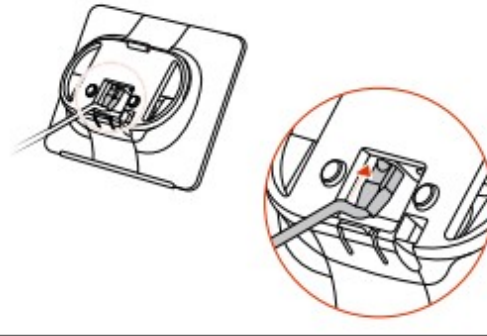


JUNCTION BOX MOUNT 3

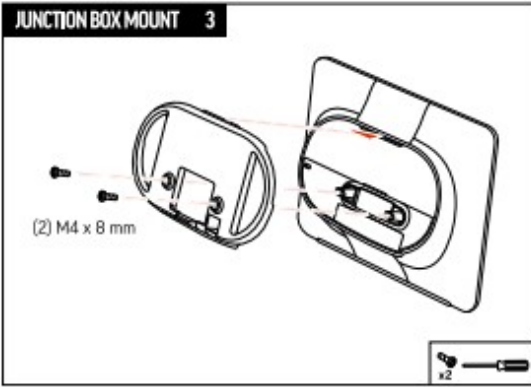
(2) M4 x 8 mm



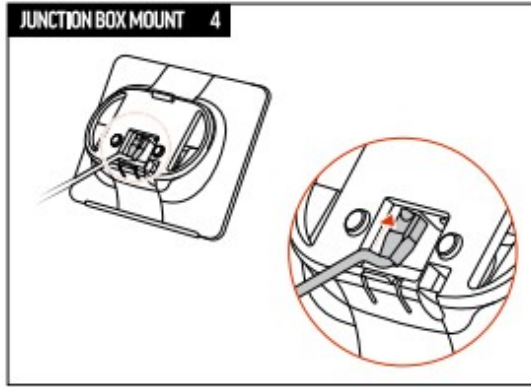
JUNCTION BOX MOUNT 4



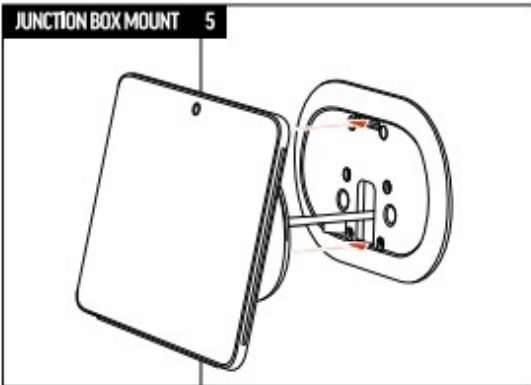
JUNCTION BOX MOUNT 3



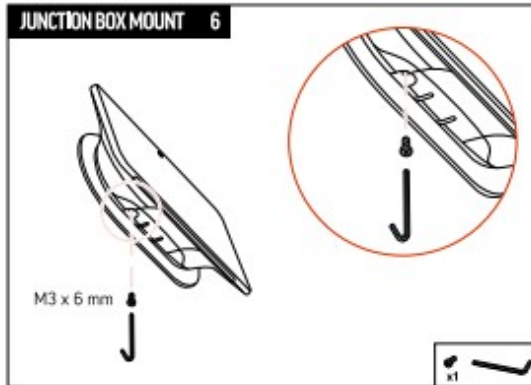
JUNCTION BOX MOUNT 4



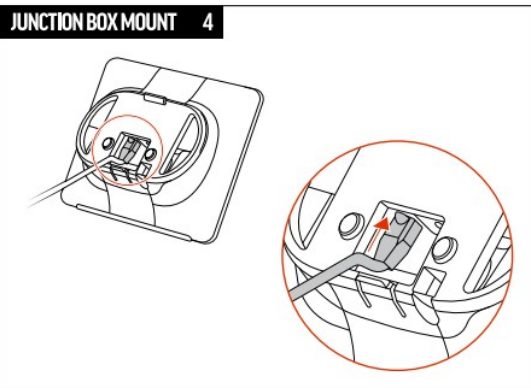
JUNCTION BOX MOUNT 5



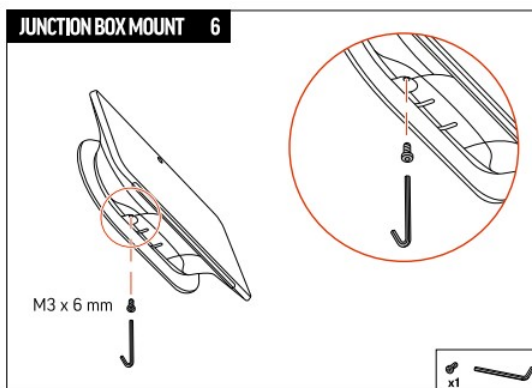
JUNCTION BOX MOUNT 6

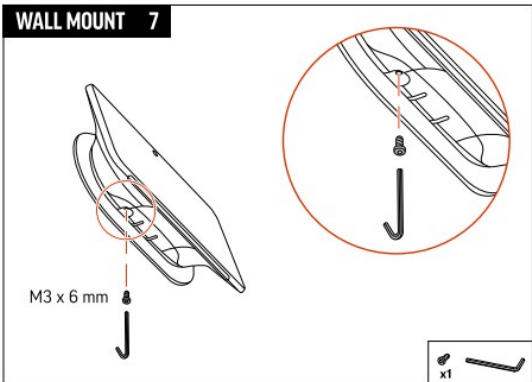
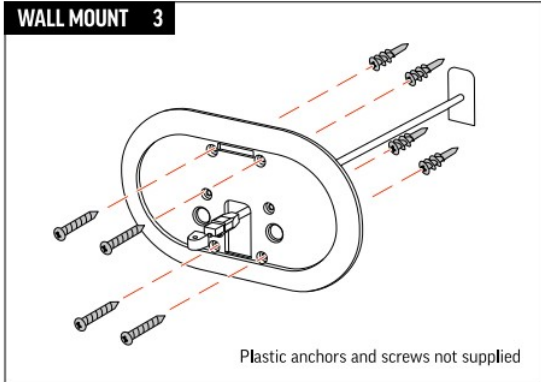
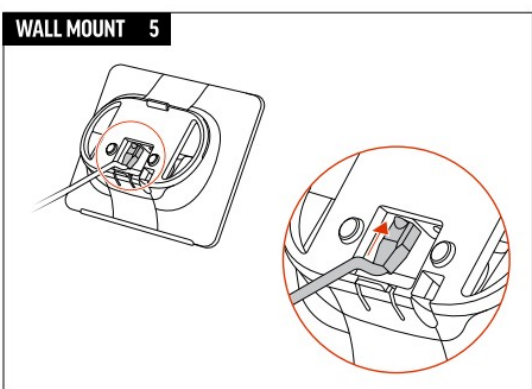
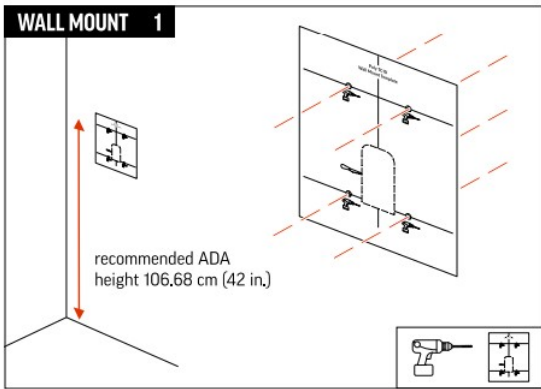


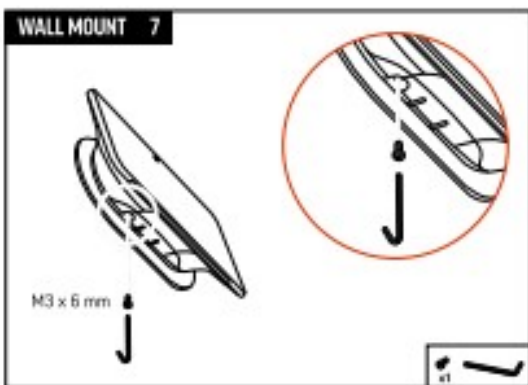
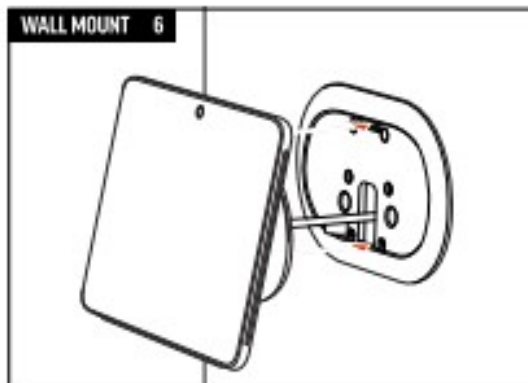
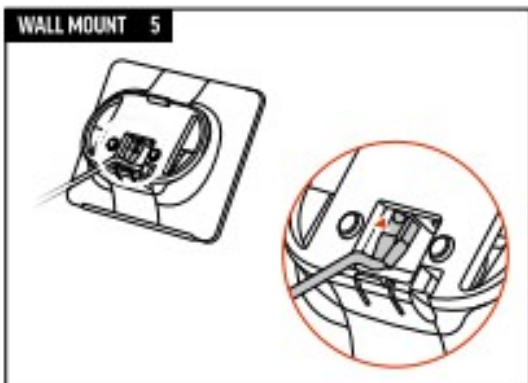
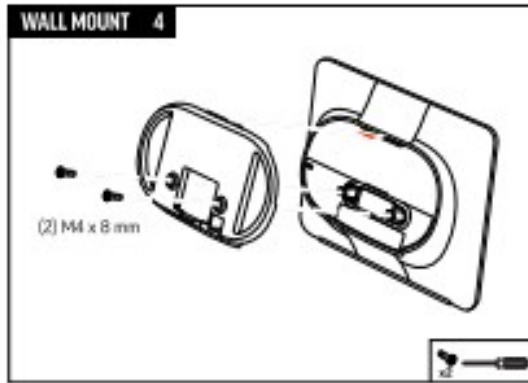
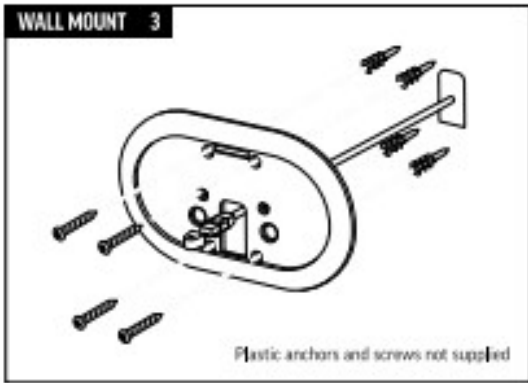
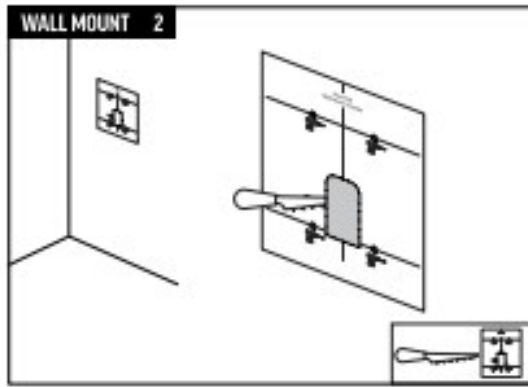
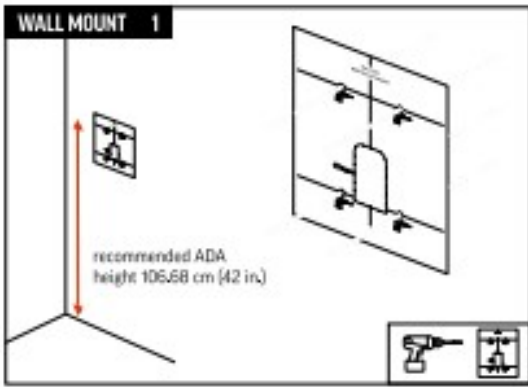
JUNCTION BOX MOUNT 4



JUNCTION BOX MOUNT 6







 poly.com/support/tc-10

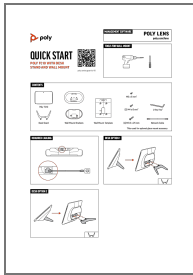
UKCA
 UK representative: Plantronics Ltd, Building 4, Foundation Park,
 Cannon Lane, Park 1st Floor, Maidenhead, SL6 3UD
 © 2022 Poly. All trademarks are the property of their respective owners.



3725-27788-0049 H.22
 Poly TC10 Model PG20

Read More About This Manual & Download PDF:

Documents / Resources



[poly TC10 with Desk Stand and Wall Mount](#) [pdf] User Guide
TC10 with Desk Stand and Wall Mount, TC10, TC10 with Desk Stand, Desk Stand and Wall Mo
unt, Desk Stand, Desk Stand and Wall Mount

References

- [Poly TC10 | Poly, formerly Plantronics & Polycom](#)