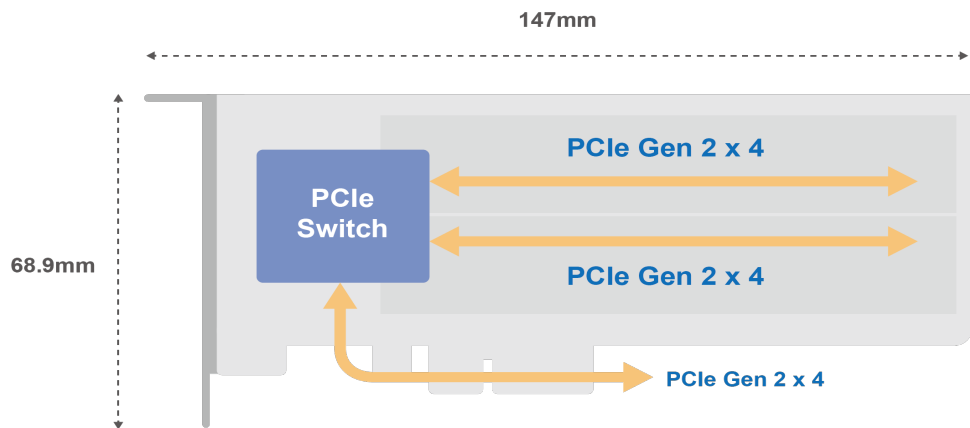


Dual M.2 22110/2280 PCIe NVMe SSD expansion card

Connector	2 x M.2 22110 or 2280 PCIe (Gen2 x 4) NVMe SSD slots
PCIe and Lanes	PCIe Gen2 x 4
Bracket	Low-profile (default). Low-profile flat and Full-height brackets are also included.
Dimensions (L x W x H)	147.15 × 20.6 × 68.9 mm
Note [NAS]	Recommended models (please update your NAS to latest version) Please check the M.2 SSD compatibility list and QM2 Installation Guide

Note [PC]
Note:
The system BIOS and Operating System (OS) must be capable of supporting a PCIe NVMe SSD. Please refer to the technical manual of your system or consult with the vendor.

Architecture Diagram



Standard Warranty	1 year
-------------------	--------

Note: Use only QNAP memory modules to maintain system performance and stability. For NAS devices with more than one memory slot, use QNAP modules with identical specifications and refer to the hardware user manual to install compatible QNAP memory modules.

Warning: Using unsupported modules may degrade performance, cause errors, or prevent the operating system from starting. QNAP reserves the right to replace partial parts or accessories if the original is no longer available from its manufacturer/supplier. Any replacement would be fully tested and verified to meet strict compatibility and stability guidelines and will deliver identical performance to the original.

The terms HDMI, HDMI High-Definition Multimedia Interface, HDMI trade dress and the HDMI Logos are trademarks or registered trademarks of HDMI Licensing Administrator, Inc.

Product images are for illustrative purposes only and may differ from the actual product. Due to differences in monitors, colors of products may also appear different to those shown on the site.

Designs and specifications are subject to change without notice.