

## AXIS P3265-LVE-3 License Plate Verifier Kit

Easy, cost-effective vehicle access control

AXIS P3265-LVE-3 includes a purpose-tuned 2 MP dome camera and comes with AXIS License Plate Verifier preinstalled. This easy-to-install kit verifies license plates against a list of authorized or unauthorized number plates stored in the camera. Processing and storage take place in the camera, so there's no need for expensive servers, and bandwidth requirements are reduced. This vandal-resistant camera includes shock detection, so it's safe to use even when installed at lower, more accessible heights. And, Axis OptimizedIR ensures the ideal image settings for license plate reading—24/7. Furthermore, it offers integration with video management systems (VMS) for complex requirements.

- > [AXIS License Plate Verifier preinstalled](#)
- > [Purpose-tuned for license plate recognition](#)
- > [Support for allow- and blacklist](#)
- > [Discreet, vandal- and weather-resistant](#)
- > [Built-in support for Axis Network Door Controllers](#)



# AXIS License Plate Verifier

## Application

Compute platform	Edge
Licenses	AXIS License Plate Verifier license included.
Configuration	Web configuration included
Settings	Define area of interest in scene. Allow- and blocklist logic. Barrier mode: Open to all, open to allowlisted, open to all but blocklisted. Minimum width: 130 pixels for one-row license plates; 70 pixels for two-row license plates. FIFO event log entries including thumbnail image of license plate. Up to 1000 entries on camera storage. Up to 100 000 entries on AXIS Surveillance Cards. Configurable retention time of stored events
Detection range	2.0 to 7.0 m (6.6 to 23 ft)
Vehicle speed	Up to 30 km/h (19 mph)
Detection time	Less than 1 second.

## Scenarios

Typical applications	<b>Efficient vehicle access control</b> Efficiently automates the entry and exit procedures for authorized vehicles at depots, service centers, lots, priority lanes, parking facilities, and various other locations. Validates license plates against allowlists or blocklists for efficient, seamless access control. Supports up to 10,000 license plates in each list. <b>Adding more functionality</b> Integrate with Axis network door controllers for increased options and functionality. Axis network door controllers, in conjunction with AXIS Camera Station Secure Entry, support more advanced access rules, schedules, and detailed event logs. Compatible with various partner software, offering diverse credential options and tailored features to meet specific needs. <b>License plate recognition in slow traffic</b> In slow traffic, the application can detect and read license plates in traffic at up to 30 km/h (19 mph) on access roads, in city centers and enclosed areas such as campuses, ports or airports. This allows for LPR-forensic search and LPR-triggered events in a VMS such as AXIS Camera Station.
----------------------	---

## System integration

Application Programming Interface	Open API for software integration.
Event streaming	Integrates with camera event management system to enable event streaming to management software and camera actions such as I/O control, notification, and edge storage.
Supported devices	Direct integration with Axis network door controllers and Axis A91 Network I/O Relay Modules.

## General

Supported countries	For a complete list of supported countries, go to the product page at <a href="http://axis.com">axis.com</a>
Languages	English

# AXIS P3265-LVE-3 License Plate Verifier Kit

Configurable bit rate

## Camera

<b>Image sensor</b>	1/2.8" progressive scan RGB CMOS
<b>Lens</b>	Varifocal, 3.4–8.9 mm, F1.8 Horizontal field of view: 100°–36° Vertical field of view: 53°–20° Minimum focus distance: 0.5 m (1.6 ft) IR corrected, remote zoom and focus, P-Iris control
<b>Day and night</b>	Automatic IR-cut filter Hybrid IR filter
<b>Minimum illumination</b>	With Lightfinder 2.0: Color: 0.1 lux at 50 IRE, F1.8/1.6 B/W: 0.02 lux at 50 IRE, F1.8/1.6 0 lux with IR illumination on
<b>Shutter speed</b>	1/66500 s to 2 s
<b>Camera adjustment</b>	Pan ±180°, tilt +75°, rotation ±175°

## System on chip (SoC)

<b>Model</b>	ARTPEC-8
<b>Memory</b>	1024 MB RAM, 8192 MB Flash
<b>Compute capabilities</b>	Deep learning processing unit (DLPU)

## Video

<b>Video compression</b>	H.264 (MPEG-4 Part 10/AVC) Baseline, Main and High Profiles H.265 (MPEG-H Part 2/HEVC) Main Profile Motion JPEG
<b>Resolution</b>	16:9: 1920x1080 to 160x90 16:10: 1440x900 to 160x100 4:3: 1440x1080 to 160x120
<b>Frame rate</b>	With WDR: Up to 25/30 fps (60/50 Hz) in all resolutions Without WDR: Up to 50/60 fps (60/50 Hz) in all resolutions
<b>Video streaming</b>	Up to 20 unique and configurable video streams <sup>a</sup> Axis Zipstream technology in H.264 and H.265 Controllable frame rate and bandwidth VBR/ABR/MBR H.264/H.265 Low latency mode Video streaming indicator
<b>Signal-to-noise ratio</b>	>55 dB
<b>WDR</b>	Forensic WDR: Up to 120 dB depending on scene WDR – forensic capture
<b>Multi-view streaming</b>	2 individually cropped out view areas
<b>Noise reduction</b>	Spatial filter (2D noise reduction) Temporal filter (3D noise reduction)
<b>Image settings</b>	Saturation, contrast, brightness, sharpness, white balance, day/night threshold, local contrast, tone mapping, exposure mode, exposure zones, defogging, compression, rotation: 0°, 180° including mirroring, text and image overlay, dynamic text and image overlay, privacy masks, polygon privacy mask, target aperture

<b>Image processing</b>	Axis Zipstream, Lightfinder 2.0, OptimizedIR
<b>Pan/Tilt/Zoom</b>	Digital PTZ, preset positions

## Audio

<b>Audio features</b>	AGC automatic gain control Speaker pairing
<b>Audio streaming</b>	Configurable duplex: Two-way (half duplex, full duplex)
<b>Audio input</b>	10-band graphic equalizer Input for external unbalanced microphone, optional 5 V microphone power Digital input, optional 12 V ring power Unbalanced line input
<b>Audio output</b>	Output via network speaker pairing Line output
<b>Audio encoding</b>	24bit LPCM, AAC-LC 8/16/32/48 kHz, G.711 PCM 8 kHz, G.726 ADPCM 8 kHz, Opus 8/16/48 kHz

## Network

<b>Network protocols</b>	IPv4, IPv6 USGv6, ICMPv4/ICMPv6, HTTP, HTTPS <sup>b</sup> , HTTP/2, TLS <sup>b</sup> , QoS Layer 3 DiffServ, FTP, SFTP, CIFS/SMB, SMTP, mDNS (Bonjour), UPnP <sup>c</sup> , SNMP v1/v2c/v3 (MIB-II), DNS/DNSv6, DDNS, NTP, NTS, RTSP, RTP, SRTP/RTSPS, TCP, UDP, IGMPv1/v2/v3, RTCP, DHCPv4/v6, SSH, LLDP, CDP, MQTT v3.1.1, Secure syslog (RFC 3164/5424, UDP/TCP/TLS), Link-Local address (ZeroConf), IEEE 802.1X (EAP-TLS), IEEE 802.1AR
--------------------------	---

## System integration

<b>Application Programming Interface</b>	Open API for software integration, including VAPIX <sup>®</sup> , metadata, and AXIS Camera Application Platform (ACAP); specifications at <a href="https://axis.com/developer-community">axis.com/developer-community</a> . One-click cloud connection ONVIF <sup>®</sup> Profile G, ONVIF <sup>®</sup> Profile M, ONVIF <sup>®</sup> Profile S, and ONVIF <sup>®</sup> Profile T, specifications at <a href="https://onvif.org">onvif.org</a> Support for Session Initiation Protocol (SIP) for integration with Voice over IP (VoIP) systems, peer to peer or integrated with SIP/PBX.
<b>Video management systems</b>	Compatible with AXIS Camera Station Edge, AXIS Camera Station Pro, AXIS Camera Station 5, and video management software from Axis' partners available at <a href="https://axis.com/vms">axis.com/vms</a> .
<b>Onscreen controls</b>	Day/night shift Defogging Wide dynamic range Video streaming indicator IR illumination Heater
<b>Edge-to-edge</b>	Radar pairing Speaker pairing
<b>Event conditions</b>	Application Audio: audio clip playing Device status: above operating temperature, above or below operating temperature, below operating temperature, within operating temperature, IP address removed, new IP address, network lost, system ready, ring power overcurrent protection, live stream active Digital audio input status Edge storage: recording ongoing, storage disruption, storage health issues detected I/O: digital input, manual trigger, virtual input, digital output MQTT: stateless Scheduled and recurring: schedule Video: average bitrate degradation, day-night mode, tampering
<b>Event actions</b>	Audio clips: play, stop Day-night mode Defog I/O: toggle I/O once, toggle I/O while the rule is active Illumination: use lights, use lights while the rule is active MQTT: publish Notification: HTTP, HTTPS, TCP and email Overlay text Recordings: SD card and network share SNMP traps: send, send while the rule is active Upload of images or video clips: FTP, SFTP, HTTP, HTTPS, network share and email WDR mode
<b>Built-in installation aids</b>	Pixel counter, remote zoom and focus, straighten image, level grid
<b>Analytics</b>	
<b>Applications</b>	<b>Included</b> AXIS License Plate Verifier, AXIS Image Health Analytics AXIS Live Privacy Shield <sup>c</sup> AXIS Video Motion Detection, active tampering alarm, audio detection <b>Supported</b> Support for AXIS Camera Application Platform enabling installation of third-party applications, see <a href="https://axis.com/acap">axis.com/acap</a>
<b>AXIS Image Health Analytics</b>	<b>Detection settings:</b> Tampering: blocked image, redirected image Image degradation: blurred image, underexposed image <b>Other features:</b> sensitivity, validation period

<b>AXIS Scene Metadata</b>	Object classes: humans, faces, vehicles (types: cars, buses, trucks, bikes), license plates Object attributes: vehicle color, upper/lower clothing color, confidence, position
<b>Approvals</b>	
<b>Product markings</b>	CSA, UL/cUL, BIS, UKCA, CE, KC, EAC, VCCI, RCM
<b>Supply chain</b>	TAA compliant
<b>EMC</b>	CISPR 35, CISPR 32 Class A, EN 55035, EN 55032 Class A, EN 50121-4, EN 61000-3-2, EN 61000-3-3, EN 61000-6-1, EN 61000-6-2 Australia/New Zealand: RCM AS/NZS CISPR 32 Class A Canada: ICES-3(A)/NMB-3(A) Japan: VCCI Class A Korea: KS C 9835, KS C 9832 Class A USA: FCC Part 15 Subpart B Class A Railway: IEC 62236-4
<b>Safety</b>	CAN/CSA C22.2 No. 62368-1 ed. 3, IEC/EN/UL 62368-1 ed. 3, IEC/EN 62471 risk group exempt, IS 13252
<b>Environment</b>	IEC 60068-2-1, IEC 60068-2-2, IEC 60068-2-6, IEC 60068-2-14, IEC 60068-2-27, IEC 60068-2-78, IEC/EN 60529 IP66, IEC/EN 62262 IK10, NEMA 250 Type 4X, NEMA TS 2 (2.2.7-2.2.9)
<b>Network</b>	NIST SP500-267
<b>Cybersecurity</b>	
<b>Edge security</b>	<p><b>Software:</b> Signed firmware, brute force delay protection, digest authentication, password protection, AES-XTS-Plain64 256bit SD card encryption</p> <p><b>Software:</b> Signed OS, brute force delay protection, digest authentication, password protection, AES-XTS-Plain64 256bit SD card encryption</p> <p><b>Software:</b> Signed firmware, brute force delay protection, digest authentication and OAuth 2.0 RFC6749 OpenID Authorization Code Flow for centralized ADFS account management, password protection, AES-XTS-Plain64 256bit SD card encryption</p> <p><b>Software:</b> Signed OS, brute force delay protection, digest authentication and OAuth 2.0 RFC6749 OpenID Authorization Code Flow for centralized ADFS account management, password protection, AES-XTS-Plain64 256bit SD card encryption</p> <p><b>Hardware:</b> Secure boot, Axis Edge Vault with Axis device ID, signed video, secure keystore (CC EAL4+ certified hardware protection of cryptographic operations and keys)</p> <p>Secure element (CC EAL 6+), secure keystore, secure bootSecure boot, Axis Edge Vault with Axis device ID, signed video, secure keystore (CC EAL4+ certified hardware protection of cryptographic operations and keys)</p> <p>Secure element (CC EAL 6+), system-on-chip security (TEE), Axis device ID, secure keystore, signed video, secure boot, encrypted filesystem (AES-XTS-Plain64 256bit)Secure boot, Axis Edge Vault with Axis device ID, signed video, secure keystore (CC EAL4+ certified hardware protection of cryptographic operations and keys)</p> <p><b>Hardware:</b> , Axis Edge Vault with Axis device ID, signed video, secure keystore (CC EAL4+ certified hardware protection of cryptographic operations and keys)</p> <p>Secure element (CC EAL 6+), secure keystore, secure boot, Axis Edge Vault with Axis device ID, signed video, secure keystore (CC EAL4+ certified hardware protection of cryptographic operations and keys)</p> <p>Secure element (CC EAL 6+), system-on-chip security (TEE), Axis device ID, secure keystore, signed video, secure boot, encrypted filesystem (AES-XTS-Plain64 256bit), signed video, secure keystore (CC EAL4+ certified hardware protection of cryptographic operations and keys)</p>

<b>Network security</b>	IEEE 802.1X (EAP-TLS) <sup>b</sup> , IEEE 802.1AR, HTTPS/HSTS <sup>b</sup> , TLS v1.2/v1.3 <sup>b</sup> , Network Time Security (NTS), X.509 Certificate PKI, IP address filtering IEEE 802.1X (EAP-TLS) <sup>b</sup> , IEEE 802.1AR, HTTPS/HSTS <sup>b</sup> , TLS v1.2/v1.3 <sup>b</sup> , Network Time Security (NTS), X.509 Certificate PKI, host-based firewall IEEE 802.1X (EAP-TLS, PEAP-MSCHAPv2) <sup>b</sup> , IEEE 802.1AR, HTTPS/HSTS <sup>b</sup> , TLS v1.2/v1.3 <sup>b</sup> , Network Time Security (NTS), X.509 Certificate PKI, IP address filtering IEEE 802.1X (EAP-TLS, PEAP-MSCHAPv2) <sup>b</sup> , IEEE 802.1AR, HTTPS/HSTS <sup>b</sup> , TLS v1.2/v1.3 <sup>b</sup> , Network Time Security (NTS), X.509 Certificate PKI, host-based firewall IEEE 802.1AE (MACsec PSK/EAP-TLS), IEEE 802.1AR, HTTPS/HSTS <sup>b</sup> , TLS v1.2/v1.3 <sup>b</sup> , Network Time Security (NTS), X.509 Certificate PKI, IP address filtering IEEE 802.1X (EAP-TLS, PEAP-MSCHAPv2) <sup>b</sup> , IEEE 802.1AE (MACsec PSK/EAP-TLS), IEEE 802.1AR, HTTPS/HSTS <sup>b</sup> , TLS v1.2/v1.3 <sup>b</sup> , Network Time Security (NTS), X.509 Certificate PKI, host-based firewall
-------------------------	---

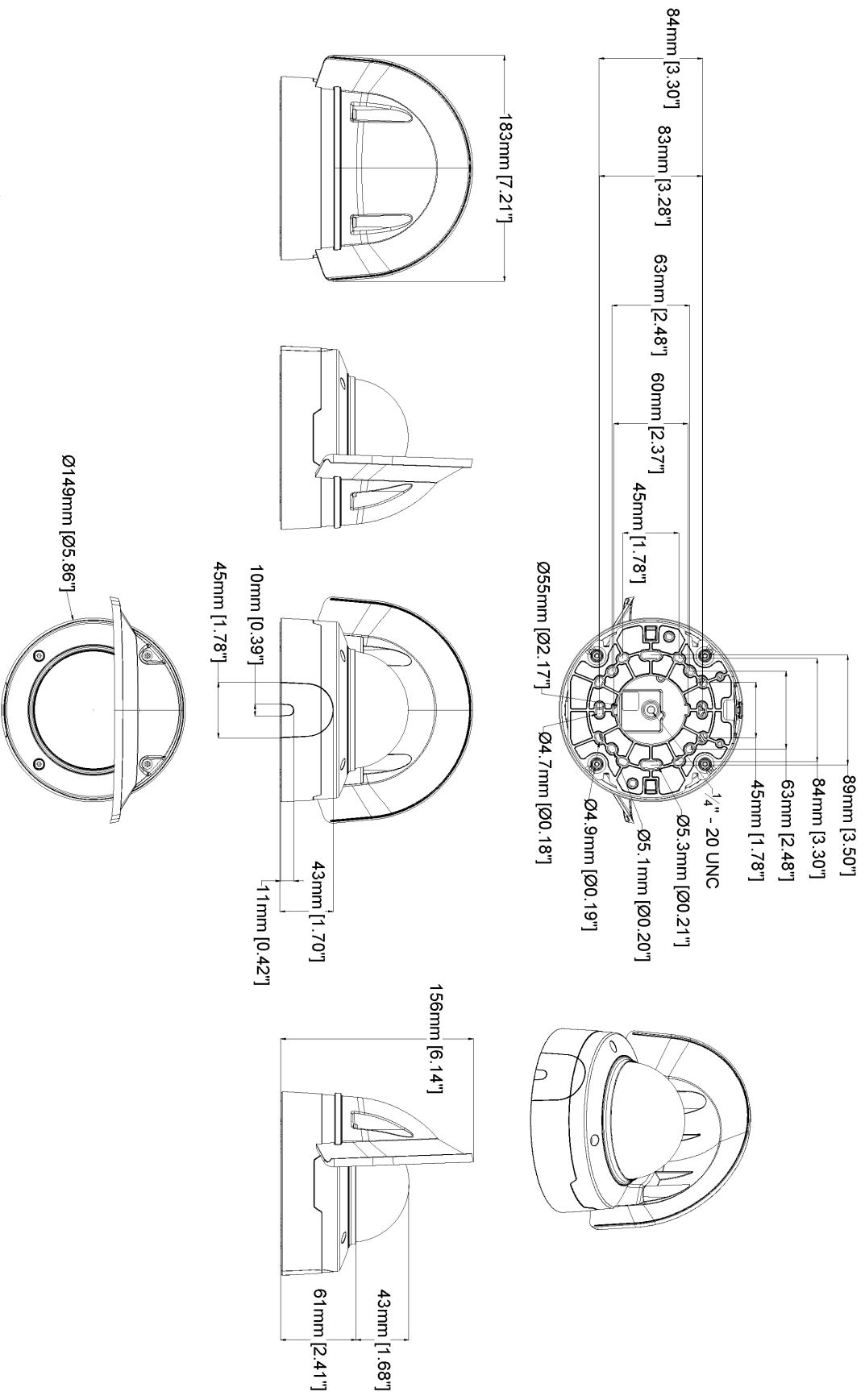
<b>Documentation</b>	<p><i>AXIS OS Hardening Guide</i></p> <p><i>Axis Vulnerability Management Policy</i></p> <p><i>Axis Security Development Model</i></p> <p>AXIS OS Software Bill of Material (SBOM)</p> <p>To download documents, go to <a href="https://axis.com/support/cybersecurity/resources">axis.com/support/cybersecurity/resources</a></p> <p>To read more about Axis cybersecurity support, go to <a href="https://axis.com/cybersecurity">axis.com/cybersecurity</a></p>
----------------------	--

<b>General</b>	
<b>Casing</b>	IP66-, NEMA 4X- and IK10-rated Polycarbonate hard-coated dome Polycarbonate (PC) casing and weathershield Color: white NCS S 1002-B For repainting instructions, go to the product's support page. For information about the impact on warranty, go to <a href="https://axis.com/warranty-implication-when-repainting">axis.com/warranty-implication-when-repainting</a> .
<b>Mounting</b>	Mounting bracket with junction box holes (double-gang, single-gang, 4" square, and 4" octagon) ¼"-20 UNC tripod screw thread
<b>Power</b>	Power over Ethernet (PoE) IEEE 802.3af/802.3at Type 1 Class 3 Typical 4.8 W, max 10.7 W
<b>Connectors</b>	Network: RJ45 10BASE-T/100BASE-TX PoE I/O: 4-pin 2.5 mm terminal block for 1 digital input and 1 output (12 V DC output, max. load 25 mA) Audio: 4-pin 2.5 mm terminal block for audio in and out
<b>IR illumination</b>	OptimizedIR with power-efficient, long-life 850 nm IR LEDs Range of reach 40 m (130 ft) or more depending on the scene
<b>Storage</b>	Support for microSD/microSDHC/microSDXC card Support for SD card encryption (AES-XTS-Plain64 256bit) Recording to network-attached storage (NAS) For SD card and NAS recommendations see <a href="https://axis.com">axis.com</a>
<b>Operating conditions</b>	-40 °C to 50 °C (-40 °F to 122 °F) Maximum temperature according to NEMA TS 2 (2.2.7): 74 °C (165 °F) Start-up temperature: -30 °C to 50 °C (-22 °F to 122 °F) Humidity 10–100% RH (non-condensing)
<b>Storage conditions</b>	-40 °C to 65 °C (-40 °F to 149 °F) Humidity 5–95% RH (non-condensing)
<b>Dimensions</b>	<b>Without weathershield:</b> Height: 104 mm (4.09 in) ø 149 mm (5.87 in)
<b>Weight</b>	<b>With weathershield:</b> 800 g (1.8 lb)
<b>Box content</b>	Camera, weathershield, installation guide, drill template, RESISTORX® TR20 screw bit, terminal block connector, connector guard, cable gaskets, Windows® decoder 1-user license, owner authentication key
<b>Optional accessories</b>	AXIS TP3201-E Recessed Mount, AXIS TP3103-E Pendant Kit, AXIS T94K01D Pendant Kit, AXIS T8355 Digital Microphone 3.5 mm, AXIS Surveillance Cards For more accessories, go to <a href="https://axis.com/products/axis-p3265-lve-3/support#compatible-products">axis.com/products/axis-p3265-lve-3/support#compatible-products</a>
<b>System tools</b>	AXIS Site Designer, AXIS Device Manager, product selector, accessory selector, lens calculator Available at <a href="https://axis.com">axis.com</a>

<b>Languages</b>	English, German, French, Spanish, Italian, Russian, Simplified Chinese, Japanese, Korean, Portuguese, Polish, Traditional Chinese English, German, French, Spanish, Italian, Russian, Simplified Chinese, Japanese, Korean, Portuguese, Polish, Traditional Chinese, Dutch, Czech, Swedish, Finnish, Turkish, Thai, Vietnamese
<b>Warranty</b>	5-year warranty, see <a href="http://axis.com/warranty">axis.com/warranty</a>
<b>Part numbers</b>	Available at <a href="http://axis.com/products/axis-p3265-lve-3#how-to-buy">axis.com/products/axis-p3265-lve-3#how-to-buy</a>
<b>Sustainability</b>	
<b>Substance control</b>	PVC free in accordance with JEDEC/ECA Standard JS709 RoHS in accordance with EU RoHS Directive 2011/65/EU/ and EN 63000:2018 REACH in accordance with (EC) No 1907/2006. For SCIP UUID, see <a href="http://echa.europa.eu">echa.europa.eu</a>

<b>Materials</b>	Screened for conflict minerals in accordance with OECD guidelines To read more about sustainability at Axis, go to <a href="http://axis.com/about-axis/sustainability">axis.com/about-axis/sustainability</a>
<b>Environmental responsibility</b>	<a href="http://axis.com/environmental-responsibility">axis.com/environmental-responsibility</a> Axis Communications is a signatory of the UN Global Compact, read more at <a href="http://unglobalcompact.org">unglobalcompact.org</a>
	<ul style="list-style-type: none"> <li>a. <i>We recommend a maximum of 3 unique video streams per camera or channel, for optimized user experience, network bandwidth, and storage utilization. A unique video stream can be served to many video clients in the network using multicast or unicast transport method via built-in stream reuse functionality.</i></li> <li>b. <i>This product includes software developed by the OpenSSL Project for use in the OpenSSL Toolkit. (openssl.org), and cryptographic software written by Eric Young (eay@cryptsoft.com).</i></li> <li>c. <i>Available for download</i></li> </ul>

# Dimension drawing



## AXIS P3265-LVE-3 License Plate Verifier Kit

www.axis.com

Revision	v.01	Revision date	2023-04-05
Paper size	A4	Release date	2023-04-05
Created by	MS	Scale	1:4

© 2023 Axis Communications

## Highlighted capabilities

### Axis Edge Vault

Axis Edge Vault is the hardware-based cybersecurity platform that safeguards the Axis device. It forms the foundation that all secure operations depend on and offer features to protect the device's identity, safeguard its integrity and protect sensitive information from unauthorized access. For instance, **secure boot** ensures that a device can boot only with **signed OS**, which prevents physical supply chain tampering. With signed OS, the device is also able to validate new device software before accepting to install it. And the **secure keystore** is the critical building-block for protecting cryptographic information used for secure communication (IEEE 802.1X, HTTPS, Axis device ID, access control keys etc.) against malicious extraction in the event of a security breach. The secure keystore and secure connections are provided through a Common Criteria or FIPS 140 certified hardware-based cryptographic computing module.

Furthermore, signed video ensures that video evidence can be verified as untampered. Each camera uses its unique video signing key, which is securely stored in the secure keystore, to add a signature into the video stream allowing video to be traced back to the Axis camera from where it originated.

To read more about Axis Edge Vault, go to [axis.com/solutions/edge-vault](https://www.axis.com/solutions/edge-vault).

### Lightfinder

The Axis Lightfinder technology delivers high-resolution, full-color video with a minimum of motion blur even in near

darkness. Because it strips away noise, Lightfinder makes dark areas in a scene visible and captures details in very low light. Cameras with Lightfinder discern color in low light better than the human eye. In surveillance, color may be the critical factor to identify a person, an object, or a vehicle.

### OptimizedIR

Axis OptimizedIR provides a unique and powerful combination of camera intelligence and sophisticated LED technology, resulting in our most advanced camera-integrated IR solutions for complete darkness. In our pan-tilt-zoom (PTZ) cameras with OptimizedIR, the IR beam automatically adapts and becomes wider or narrower as the camera zooms in and out to make sure that the entire field of view is always evenly illuminated.

### Zipstream

The Axis Zipstream technology preserves all the important forensic in the video stream while lowering bandwidth and storage requirements by an average of 50%. Zipstream also includes three intelligent algorithms, which ensure that relevant forensic information is identified, recorded, and sent in full resolution and frame rate.

For more information, see [axis.com/glossary](https://www.axis.com/glossary)